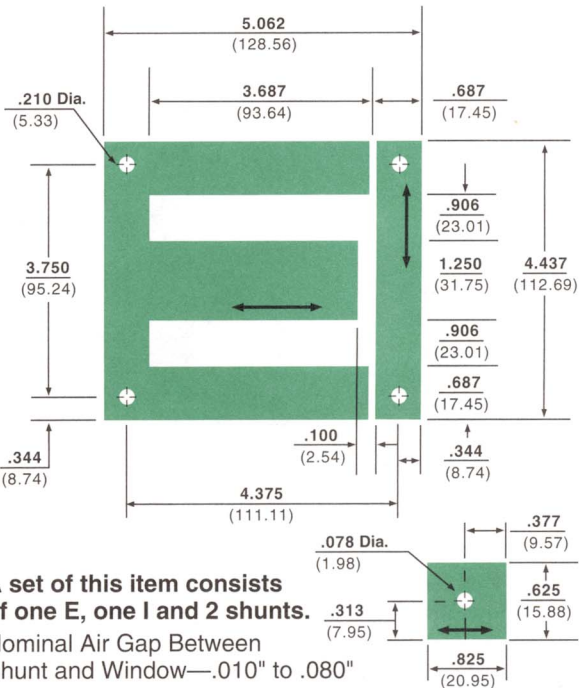


SINGLE PHASE EI—1¼ (2) HLC (32mm) FERRO-RESONANT



THICKNESS		LAMINATION WEIGHTS			
in.	mm.	lb./1 K	Kg/1 K	El's/lb.	El's/Kg
.0185	0.47				
.014	0.35	64.16	29.10	15.59	34.36
.011	0.28	50.411	22.873	19.8	43.7
.009	0.23	41.246	18.714	24.2	53.4
.007	0.18				
.006	0.15				
.004	0.10				

CHARACTERISTICS OF CORE STACK HAVING SQUARE CENTER

VOLUME		WEIGHT		WINDOW AREA	
cu. in.	cu. cm.	lbs.	grams	sq. in.	sq. cm.
18.42	302	5.41	2455	3.340	21.55

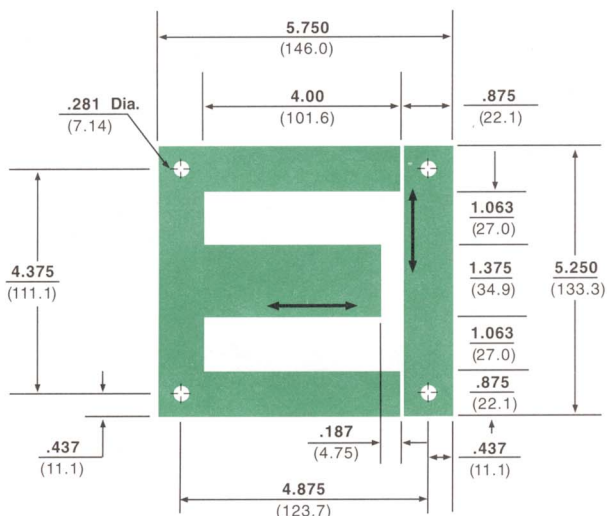
MAGNETIC PATH DIMENSIONS AND DESIGN FORMULAS

$$Q = 11.873 \text{ in.} = 30.16 \text{ cm.}$$

$$A = 1.56 \text{ in.}^2 = 10.08 \text{ cm.}^2$$

SINGLE PHASE EI—1³/₈ (2) HLC

(35mm) FERRO-RESONANT



Single-Phase

THICKNESS		LAMINATION WEIGHTS			
in.	mm.	lb./1 K	Kg/1 K	El's/lb.	El's/Kg
.0185	0.47				
.014	0.35	80.89	36.69	12.36	27.255
.011	0.28	63.556	28.837	15.7	34.7
.009	0.23	52.001	23.594	19.2	42.4
.007	0.18				
.006	0.15				
.004	0.10				

VOLUME		WEIGHT		WINDOW AREA	
cu. in.	cu. cm.	lbs.	grams	sq. in.	sq. cm.
28.923	474.2	8.01	3634	4.250	27.4

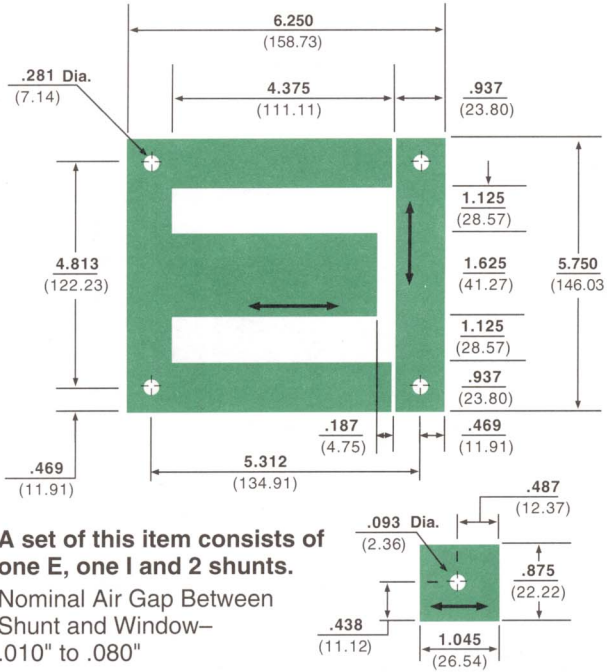
MAGNETIC PATH DIMENSIONS AND DESIGN FORMULAS

$$Q = 13.44 \text{ in.} = 34.13 \text{ cm.}$$

$$A = 1.89 \text{ in.}^2 = 12.20 \text{ cm.}^2$$

SINGLE PHASE EI—1⁵/₈ (2) HLC

(41mm) FERRO-RESONANT



Single-Phase

THICKNESS		LAMINATION WEIGHTS			
in.	mm.	lb./1 K	Kg/1 K	El's/lb.	El's/Kg
.0185	0.47				
.014	0.35	106.53	48.32	9.39	20.70
.011	0.28	83.702	37.977	11.9	26.3
.009	0.23	68.484	31.075	14.6	32.2
.007	0.18				
.006	0.15				

CHARACTERISTICS OF CORE STACK HAVING SQUARE CENTER

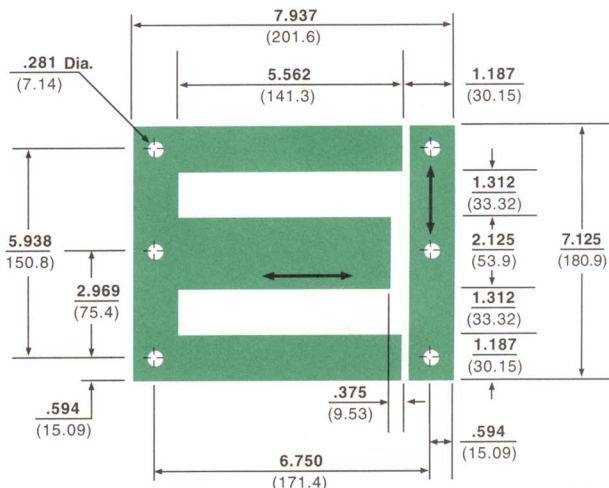
VOLUME		WEIGHT		WINDOW AREA	
cu. in.	cu. cm.	lbs.	grams	sq. in.	sq. cm.
39.8	652.5	11.63	5277	4.922	31.75

MAGNETIC PATH DIMENSIONS AND DESIGN FORMULAS

$Q = 14.624 \text{ in.} = 37.14 \text{ cm.}$
 $A = 2.64 \text{ in.}^2 = 17.04 \text{ cm.}^2$

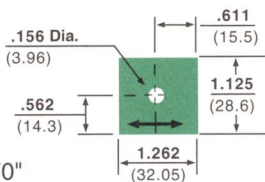
SINGLE PHASE EI—2½ (3) HLC

(53mm) FERRO-RESONANT



A set of this item consists of one E, one I and 2 shunts.

Nominal Air Gap Between Shunt and Window—.010" to .070"



THICKNESS		LAMINATION WEIGHTS			
in.	mm.	lb./1 K	Kg/1 K	El's/lb.	El's/Kg
.0185	0.47				
.014	0.35	169.6	76.93	5.90	13.0
.011	0.28	133.257	60.461	7.5	16.5
.009	0.23	109.029	49.469	9.2	20.2
.007	0.18				
.006	0.15				
.004	0.10				

CHARACTERISTICS OF CORE STACK HAVING SQUARE CENTER

VOLUME		WEIGHT		WINDOW AREA	
cu. in.	cu. cm.	lbs.	grams	sq. in.	sq. cm.
86.86	1423	24.263	11009	7.29	47.08

MAGNETIC PATH DIMENSIONS AND DESIGN FORMULAS

$$Q = 16.81 \text{ in.} = 42.70 \text{ cm.}$$

$$A = 4.51 \text{ in.}^2 = 29.1 \text{ cm.}^2$$